



Elevator
Easy Move

Comfortable, silent, elegant

VIMEC
Easy moving

EASY MOVE

VIMEC
Easy moving

- Only occupies the space strictly necessary to ensure the user's comfort and safety
- Various personalisation options
- Suitable for both indoor and outdoor installation
- Quick to install with no major building work required
- Reliable, and with a capacity of no less than 400 kg
- On-board telephone and infrared barriers on three sides walls ensuring a safe ride
- Vimec quality guarantee



Design

Vimec's focus on styling is expressed through the shapes and materials chosen to express wellbeing, attention to details, and a love of our work



MADE IN ITALY

■ **Easy Move** meets the needs of two different types of user: on the one hand, public and private facilities in search of ways of overcoming architectural barriers through an installation that fits perfectly into its environment; on the other hand, wheelchair users who have chosen a vertical lift as the means of moving between floors in their homes.

■ **Versatile**

The Easy Move lift gives added value to its setting, through simple tailor-made installations, both indoors and out. Available from two to five floors, it is an ideal system both for renovation projects and for new buildings: no masonry work required.

■ **Comfortable and safe**

Quiet and discreet, it can be used in complete comfort and safety thanks to the state-of-the-art technical features that safeguard users in operation, with protected, user-friendly controls.



■ **Customisable**

The Easy Move lift is tailor-made not only in its functions but also in its personalised combinations; the colours and trims available enable the Easy Move to fit perfectly into any environment, whether a home or a public building.

Experience

Vimec is the market leader, and has been designing and building tailor-made installations to improve quality of life for all access needs, both in the home and in public buildings, since 1982.

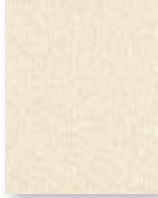


COLOURS CABIN WALLS

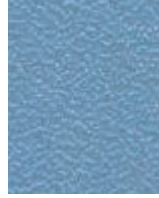
COLOR SERIES



Grey
standard



Beige
standard



Blue
standard



Red
standard

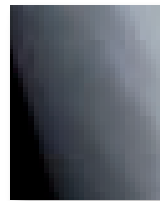


Special RAL

VETRO SERIES



Transparent



Smoked Grey

LEGNO SERIES



Maple
standard



Cherry
standard

INOX SERIES



Lino lucido

COLOURS CABIN PLATFORM

GOMMA SERIES



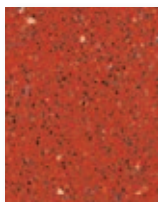
Grey with
round stamps
standard



Light Grey



Dark Grey



Red

SAFE STEP SERIES

LEGNO SERIES



Pero selvaggio



VIMEC 7040
standard



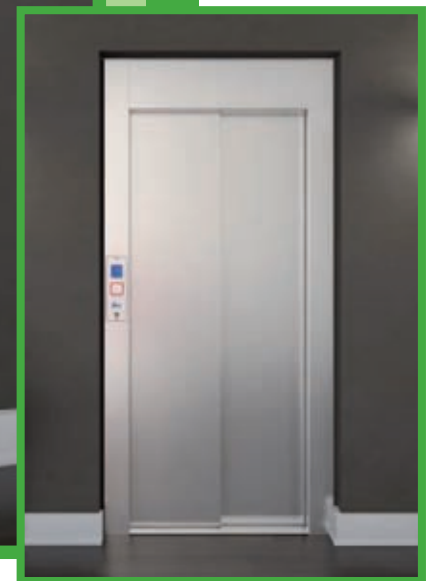
Special RAL

COLOURS STEEL STRUCTURE

Easy Move offers you a hundred customisation options, starting from the walls of the cabin, available in different finishes and colours, through the platforms, in fine materials in a variety of shades. A wide choice of structure finishes are available to provide the best match with the surrounding colours and environment.

ACCESSORIES

Doors



Choosing your Easy Move's materials, colours and special comforts will be a thrill experienced every time you enter the cabin.

■ Different types of fire rated doors available.

Automatic telescopic doors two speed



Three speed automatic telescopic doors



Double hinged, in glass, for an elegant, stylish effect



Panoramic, in aluminium; lightness at hand



Panoramic hollow veneered



Hollow veneered with vision panel

ACCESSORIES

Control panels

- A) I-button, for electronic access floor controls
- B) Alarm pushbutton
- C) Load indicator



On-board control panel



Floor control panel

- A) LCD display with travel indicator
- B) Call button: green when lift is free, red when busy
- C) Loudspeaker
- D) I-button, for electronic access control

ACCESSORIES

Handrail



Integrated handle

Cabin lighting



LED bar *standard*



Starry sky

Easy Move

The right choice, the choice of taste

■ The domestic lift that increases your home's convenience and prestige.

The Easy Move is intended for everyone who gives priority to their own wellbeing and that of their family. Comfortable and safe, it fits into any surroundings, guaranteeing your home a prestige installation that will increase its value.

■ Convenient, effortless

Quiet and discreet, it is absolutely convenient even for transporting the shopping, child buggies, and any other heavy or bulky items from one floor to another within the home. With the Easy Move, getting around the house could not be easier.

■ Customisable

You and your home deserve a lift which is tailored to suit you not only in its functions but also in its design and personalised finishes; the colours and trims available ensure your Easy Move is just as you want it, the perfect match for its surroundings and your taste.

■ Reliable

Vimec technology guarantees you a product with state of the art design from every aspect. The manufacturer's warranty allows you to cut servicing costs and enjoy all the benefits of quality construction.



Sensations

Getting onto a Vimec lift gives you a feeling of comfort and safety, and using it will become a natural part of your daily life.



Easy Move with structure

The Easy Move lift has state of the art structures in terms of strength, versatility and design.

These structures can be customised with different types of glass panelling to suit installations of all kinds, with tailor-made versions and installations even in particularly difficult applications.

A Vimec outdoor lift never requires invasive building works: installation is completed quickly and with great care, thanks to a network of skilled dealers always up to date with the latest products and techniques.

TECHNICAL DATA

Easy Move by Vimec is an extremely versatile hydraulic lift:

- Customisable to the needs of the user and the building.
- Ideal both for renovation projects (easy to install in existing shafts) and in new installations, since special building works such as an extra room to house machinery, or a pit underneath the lift, are not required.
- The pit required is truly negligible, since a recess just 12 cm deep is all that is needed.
- The lift runs on the standard voltage of 220/240 V and its power consumption is 1.8 kW
- Certified to Machinery Directive EC 2006/42
- The installation is automatic when there are telescopic doors inside the cabin.

EASY MOVE

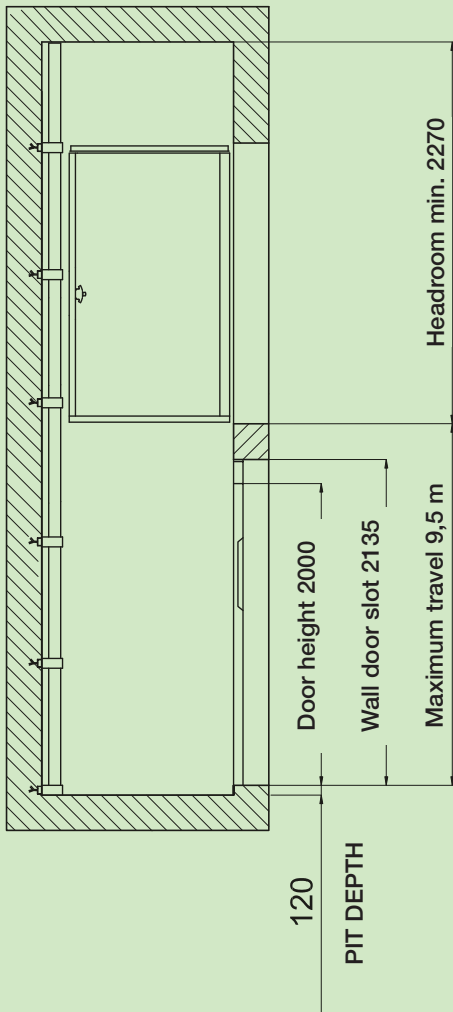
Working load	400 Kg
Travel	9,5 m
Speed	0,15 m/sec
Pit	120 mm for masonry shaft; 140 mm for structure
Cabin “enclosed” with walls or infrared barriers	
“Simple Touch” calling to floor. With a cabin door the lift is one touch operation. With swing doors dead man control.	
Arrival and departure with soft start/stop system	
Device for communication with outside of cabin	
Automatic safety levelling within	+/- 20 mm
Load-bearing roof	
Certified safety valve	
Electric locks with En 81-2 certification	UNI EN 81-2
Electrical system	
Power	1.8 Kw
Mains voltage	230V-single phase
Motor power supply voltage	230V
Auxiliary power supply voltage	24V

4 standard configurations of platforms

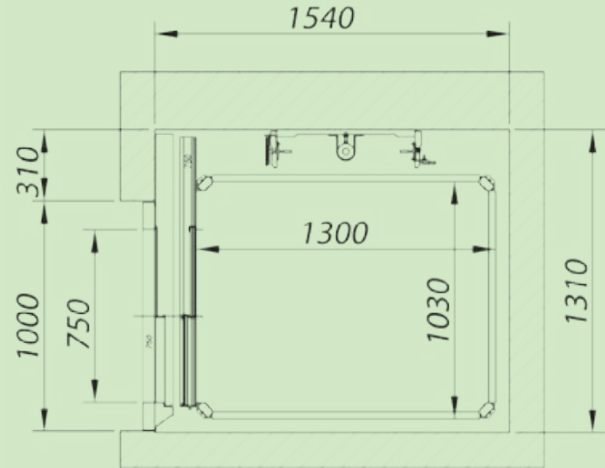
1250X1000 1300X1030 1400X1100 1460X1170

Data are guideline and not binding. Vimec reserves the right to make any changes it considers appropriate.

DIMENSIONS AND OVERALL SPACE REQUIREMENTS



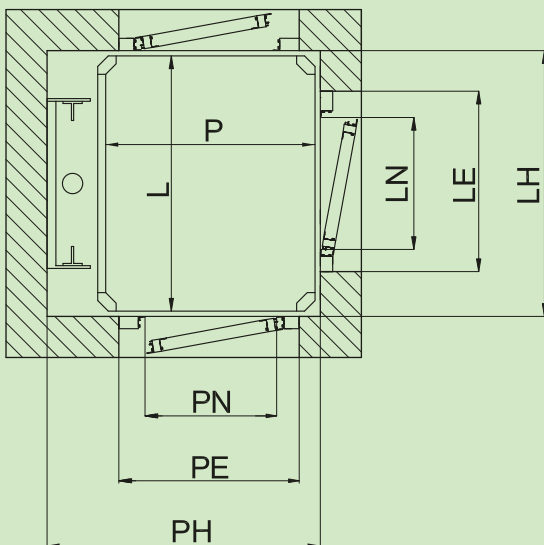
WITH TELESCOPIC DOORS



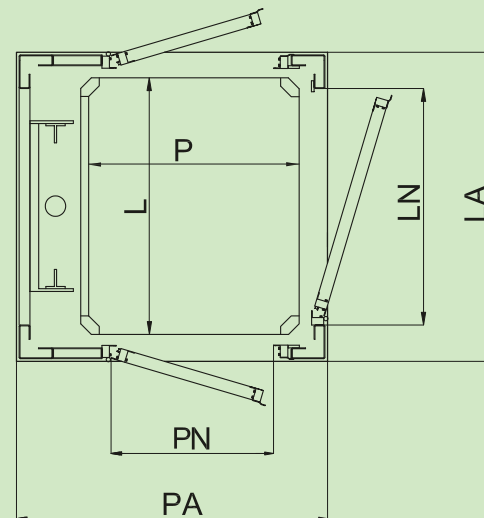
Key

- L: Cabin width
- P: Cabin depth
- LH: Masonry shaft width
- PH: Masonry shaft depth
- LA: Free-standing structure width
- PA: Free-standing structure depth
- LN-PN: Door opening
- LE-PE: Door space occupancy

MASONRY SHAFT



STRUCTURE



NB: add 45 mm for each additional cabin wall, and 100 mm in case of folding door on board at cabin wall.

MASONRY SHAFT

Cabin	L	900	1250	1400	770	850	1250
	P	850	1000	1100	950	1250	1250
Wall shaft	LH	930	1280	1430	800	880	1280
	PH	1090	1240	1340	1190	1490	1490

STRUCTURE

Cabin	L	900	1250	1400	850	1250
	P	850	1000	1100	1250	1250
Wall shaft	LA	1045	1395	1545	995	1395
	PA	1195	1345	1445	1595	1595



Heavy Duty: for higher load capacity

E07 HD

When the installation requires a lift able to take loads of considerable size and weight, the E07 Heavy Duty allows the transportation of trolleys, beds and other objects which require extra space, without difficulty and while maintaining a stylish appearance.

10 standard configurations of platforms

1400x1300 1400x1400 1600x900 1600x1000 1800x900 1800x1000
2000x900 2000x1000 2200x900 2200x1100

Rated load: 500 Kg to 600 Kg

Maximum travel: 8,5 m

Data are guideline and not binding. Vimec reserves the right to make any changes it considers appropriate.



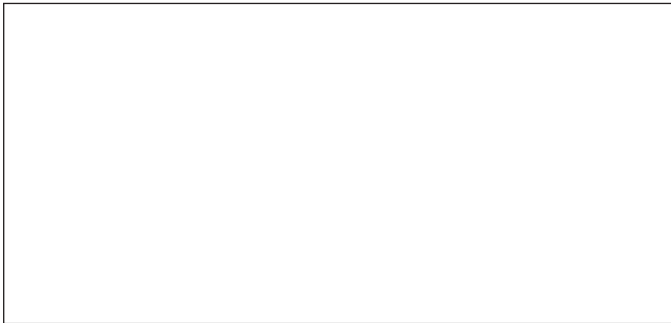
Vimec s.r.l. - Via Parri, 7 - 42045 Luzzara - Reggio Emilia - Italy

Tel. + 39 0522 970 666 Fax +39 0522 970677

www.vimec.biz export@vimec.biz

Vimec abroad: Madrid (Spain), London (United Kingdom),

Avignon (France), Warsaw (Poland)



COMPANY
WITH QUALITY SYSTEM
CERTIFIED BY DNV
= UNI EN ISO 9001/2008 =



7510238-300313 110/P

Guaranteed product

The Vimec elevator is guaranteed until to 24 months from the date of consignment

PSP: at partners' service

Partner Support Program: a Vimec exclusive for its partners, aiming to supply each of them, all over the world, with a series of personalised tools for developing their business and offering the end user a better and better service. This programme includes an introduction to the concepts of "accessibility", specific classroom training courses and training in the field for sales staff and engineers, analysis and assistance for the development of the most appropriate market strategies, and backup for the organisation of seminars (e.g. for architects, civil engineering firms, etc.) and for participation at trade fairs. Close co-operation with its partners guarantees Vimec constant improvement of its degree of knowledge of the various markets and thus of their varying needs in terms of accessibility, which translates into the design of suitable products. All oriented towards better management of customer relations, and the achievement of full customer satisfaction.

VIMEC Range



A wide range of products dedicated to people: home lifts and elevators, chairlifts and stairlifts, platform lifts and mobile stair climbers.